

Wallpaper OLED Signage - 55EJ5D

Engaging Spaces Beyond Displays



LG's OLED Wallpaper Signage is surprisingly slim, light and space saving. Providing an extraordinary customer experience is second nature to OLED Wallpaper, upgrading virtually any space. It also can be used as a video wall when easily attached to the wall with the included wall mount.



Why OLED Technology?



Perfect Black

Limitless contrast and deepest black
Self-lighting pixels switch off completely to reproduce black. No light bleeding. Absolute black offers infinite contrast.



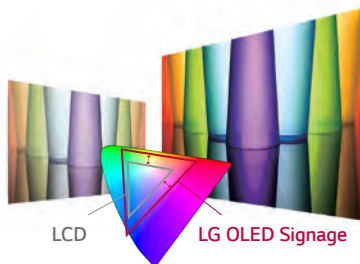
LCD

LG OLED Signage



Amazing color

Accurate & stable color reproduction
Self-lighting pixels bring colors to life with superb accuracy.



LCD

LG OLED Signage



Perfect Viewing Screen

Wide viewing angle
LG OLED Signage delivers awe-inspiring picture quality across the entire screen, even from wide viewing angles.



LCD

LG OLED Signage



Crisp, Clear Motion

Faster response time
LG OLED Signage provides a 5,000-times faster motion-picture response time, for perfectly clear images without blurring.



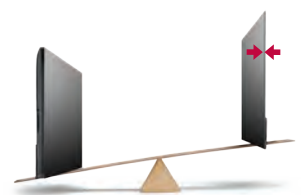
LCD

LG OLED Signage



Perfect Design

Slim and light
With just two layers, the LG OLED Signage display is unbelievably lightweight and thin.



LCD
86.5 mm
18.6 kg

VS

LG OLED Signage
3.65 mm*
12.6 Kg

* Edge depth

Artistic Space Beyond Display

55EJ5D wallpaper OLED signage



Screen Size

55"

55EJ5D

- Brightness : 400 cd/m² (APL 25%)
- Bezel: 1.2 mm (Off bezel)
- Depth: 3.65 mm (Module)
- Interface: HDMI, DP, RS232C, RJ45, IR In, USB 3.0, USB 2.0
- SuperSign Premium / Link



webOS 3.0+

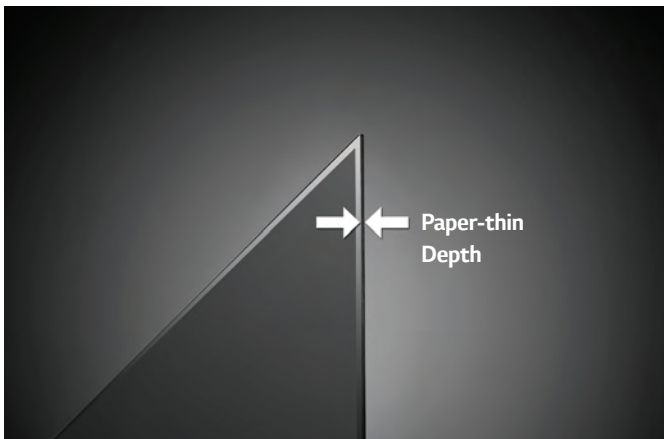
LG OLED



Key Features

Hide in Plain Sight

Its paper-thin depth gives the space an integrated look.



Easy Installation & Video-Wall Tiling

As LG wallpaper OLED signage is extremely slim and light, it can be hung on the wall with dedicated slim brackets for video-wall usage.

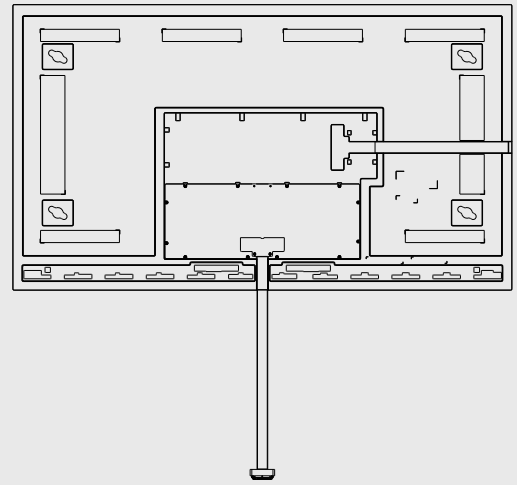
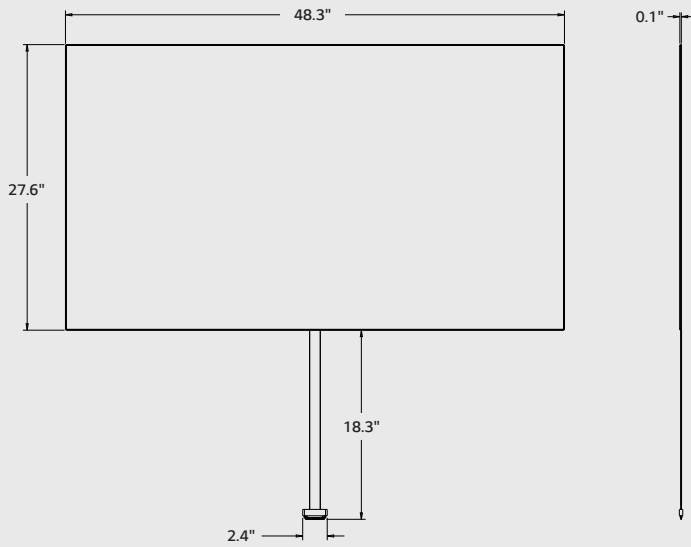


Specifications

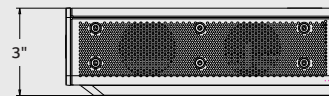
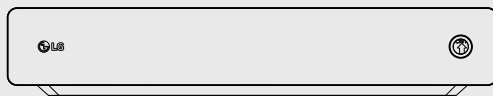
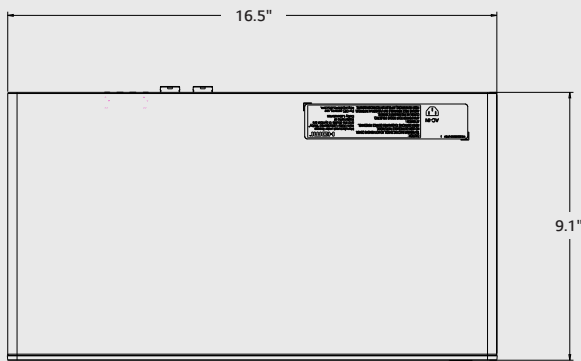
		55EJ5D
PANEL	Screen Size	55" (54.64" diagonal)
	Panel Technology	OLED
	Aspect Ratio	16:9
	Native Resolution	1,920 x 1,080 (FHD)
	Brightness	100/400 cd/m ² (APL 100% / 25%) * Average picture level
	Dynamic CR	100,000:1
	Viewing Angle (H x V)	178 x 178
	Response Time	1 ms (G to G), 8 ms (MPRT)
	Surface Treatment	Hard coating (2H), Anti-reflection treatment of the front polarizer (Reflectance typ. 1.0%)
	Guaranteed Operating Hours	18 hrs/7 days (Moving video only)
	Orientation	Landscape & Portrait
CONNECTIVITY	Input	HDMI, DP
	Output	DP, Audio
	External Control	RS232C in/out, RJ in/out, IR Receiver, USB 2.0, USB 3.0
PHYSICAL SPECIFICATION	Bezel Color	Black
	Bezel Width	1.2, 1.2, 1.2, 1.2 mm (U, B, L, R *Offset bezel)
	Dimension (W x H x D)	Head: 1,227 x 702.1 x 3.65 mm, Signage Box: 420 x 230 x 75 mm
	Weight	Head: 5.5 kg, Signage Box: 5.3 kg, Wall Bracket: 1.8 kg
	Carton Dimensions (W x H x D)	54.4" x 32.8" x 9.9"
	Packed Weight	49.6 lbs
SPECIAL FEATURES	Temperature Sensor, Cooling FAN, Source Selection, DPM Select, Energy Saving, Motion Eyecare, File Play with USB, Internal Memory (64 GB), Wi-Fi Dongle Ready, USB Cloning, Contents Scheduling, Local Time Auto Setting, Failover, Mirroring, SoftAP, BEACON, DP daisy chain	
ENVIRONMENT CONDITIONS	Operation Temperature	32°F to 104° F
	Operation Humidity	10% to 80%
POWER	Power Supply	100–240 V~, 50/60 Hz
	Power Type	Built-in Power
POWER CONSUMPTION	Typ.	190 W
	DPM	Less than 3 W
	Power off	Less than 0.5 W
STANDARD (CERTIFICATION)	Safety	UL/cUL/CB/TUV/KC
	EMC	FCC Class "A"/CE/KCC
	ErP/Energy Star	Yes/NA
MEDIA PLAYER COMPATIBILITY	OPS-Type Compatible	Yes
	External Media Player Attachable	Yes
SOFTWARE COMPATIBILITY	Content Management Software	SuperSign Premium
	Control and Monitoring Software	SuperSign Link
ACCESSORIES	Basic	Remote controller (includes 2 batteries), FPC Extension cable (connection between screen and signage box), Power cord, DP cable, RS-232C cable, RS-232C gender, LAN cable, IR receiver, Manual (ESG, EIG), Wall-mount plate (includes screws), Harness locking cover, Set install guide, Signage box bracket (U-Leg), FPC cable cover
	Optional	OPS Kit (KT-OPSA)

Dimension

Display



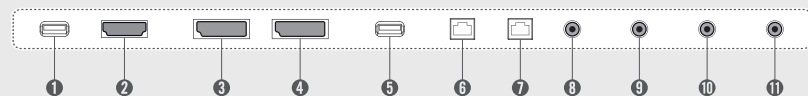
Signage Box



Connectivity

- 1 USB 2.0
- 2 HDMI
- 3 DP in
- 4 DP out
- 5 USB 3.0
- 6 LAN in
- 7 LAN out
- 8 IR in
- 9 RS232C in
- 10 RS232C out
- 11 Audio out

55EJ5D



Download LG Commercial Display Mobile App



Learn more www.lg.com/b2b

YouTube youtube.com/c/LGCommercialDisplay

LG may make changes to specifications and product descriptions without notice.
 Copyright © 2017 LG Electronics Inc. All rights reserved. "LG Life's Good" is a registered trademark of LG Corp.
 The names of products and brands mentioned here may be the trademarks of their respective owners.
 SPEC_55EJ5D_081746_PR

